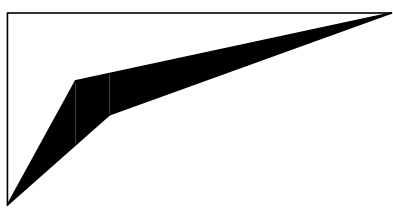


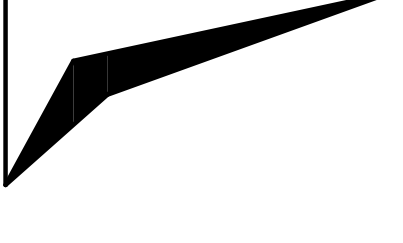
**TECHOSOLIS**  
**STANDARD RACK DESIGN**  
**FOR**  
**SOLAR POOL COLLECTORS**

  
 LANVCO, INC.  
 ENGINEERING CONSULTING  
 CERTIFICATE OF AUTHORIZATION  
 # 68222  
 P.O. BOX 41481  
 ST. PETERSBURG  
 FLORIDA 33743  
 (727) 345-8556  
 PROFESSIONAL SEAL

ALL INFORMATION, DESIGN AND DOCUMENTS IS PROPERTY OF LANVCO, INC. AND IS TO BE KEPT CONFIDENTIAL. ANY REUSE, REPRODUCTION, OR DISSEMINATION OF THIS INFORMATION WITHOUT THE WRITTEN PERMISSION OF LANVCO, INC. IS STRICTLY PROHIBITED. THE USER AGREES TO HOLD LANVCO, INC. HARMLESS FROM ANY AND ALL CLAIMS OF INDEMNIFICATION AND ALL OTHER DAMAGES THAT MAY BE ASSERTED AGAINST LANVCO, INC. BY ANY PARTY. THE USER AGREES TO HOLD LANVCO, INC. HARMLESS FROM ANY AND ALL CLAIMS OF INDEMNIFICATION AND ALL OTHER DAMAGES THAT MAY BE ASSERTED AGAINST LANVCO, INC. BY ANY PARTY. THE USER AGREES TO HOLD LANVCO, INC. HARMLESS FROM ANY AND ALL CLAIMS OF INDEMNIFICATION AND ALL OTHER DAMAGES THAT MAY BE ASSERTED AGAINST LANVCO, INC. BY ANY PARTY.

NO.	DATE	DESCRIPTION

DESIGN BY:	JOB NO.:
CHECKED BY:	DATE: 04/18/06
SCALE:	
SHEET NAME	
RACK FOR SOLAR COLLECTORS	
SHEET NUMBER	
S-1	



LANNOQ, INC.  
ENGINEERING CONSULTING  
CERTIFICATE OF AUTHORIZATION  
# 66272

P.O. BOX 41481  
ST. PETERSBURG  
FLORIDA 33743  
(727) 345-8856

PROFESSIONAL SEAL

## TECHOSOLIS STANDARD RACK DESIGN FOR SOLAR POOL COLLECTORS

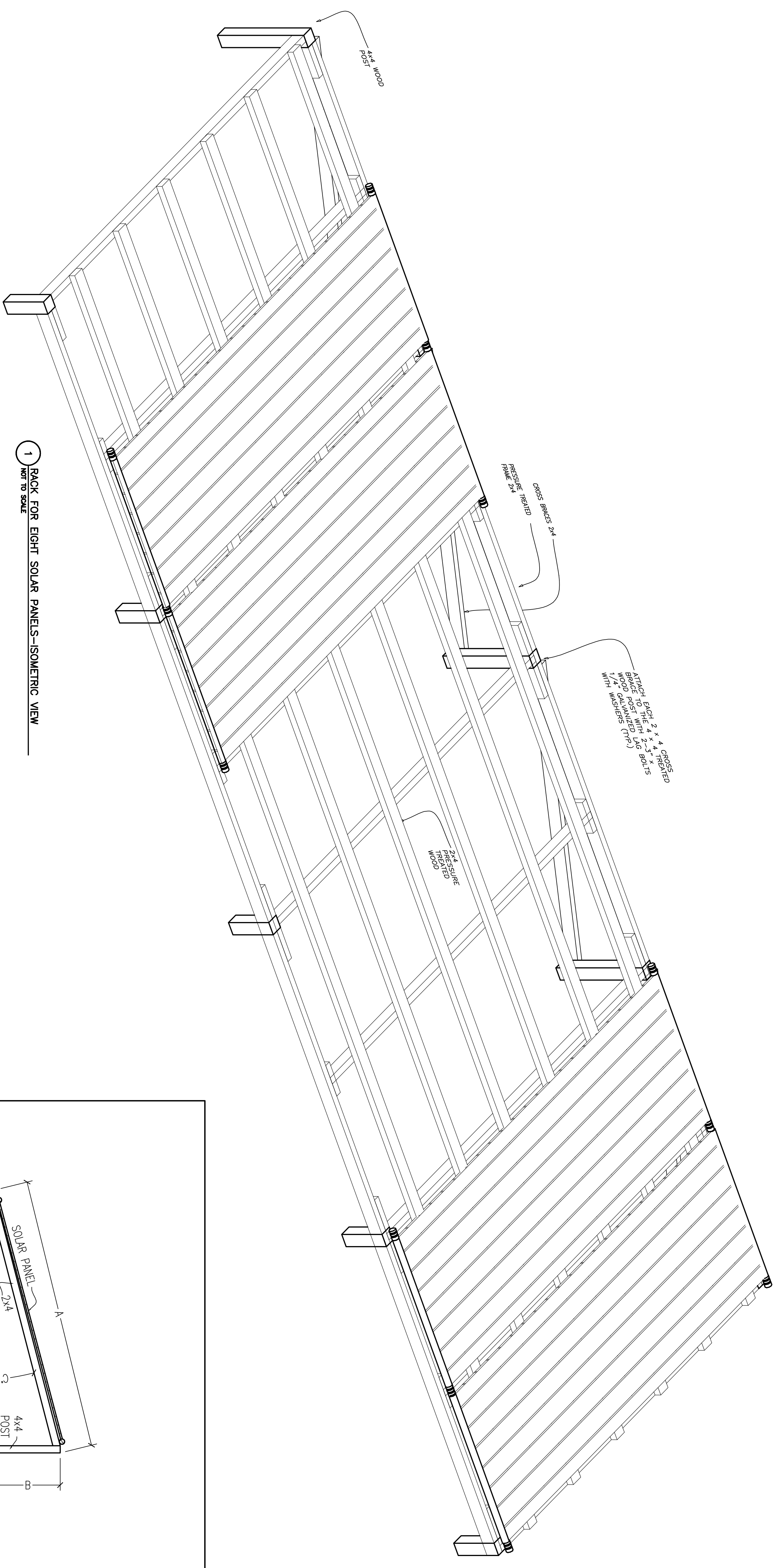
ALL DIMENSIONS UNLESS OTHERWISE SPECIFIED ARE IN INCHES. DIMENSIONS IN FEET AND INCHES SHALL BE CONSIDERED AS APPROXIMATE. THE USER SHALL VERIFY ALL DIMENSIONS AND CONDITIONS BEFORE CONSTRUCTION. THE USER SHALL BE RESPONSIBLE FOR OBTAINING ALL NECESSARY PERMITS AND APPROVALS FROM ALL APPLICABLE AGENCIES. THE USER SHALL BE RESPONSIBLE FOR OBTAINING ALL NECESSARY PERMITS AND APPROVALS FROM ALL APPLICABLE AGENCIES. THE USER SHALL BE RESPONSIBLE FOR OBTAINING ALL NECESSARY PERMITS AND APPROVALS FROM ALL APPLICABLE AGENCIES.

REVISIONS	
NO.	DATE DESCRIPTION

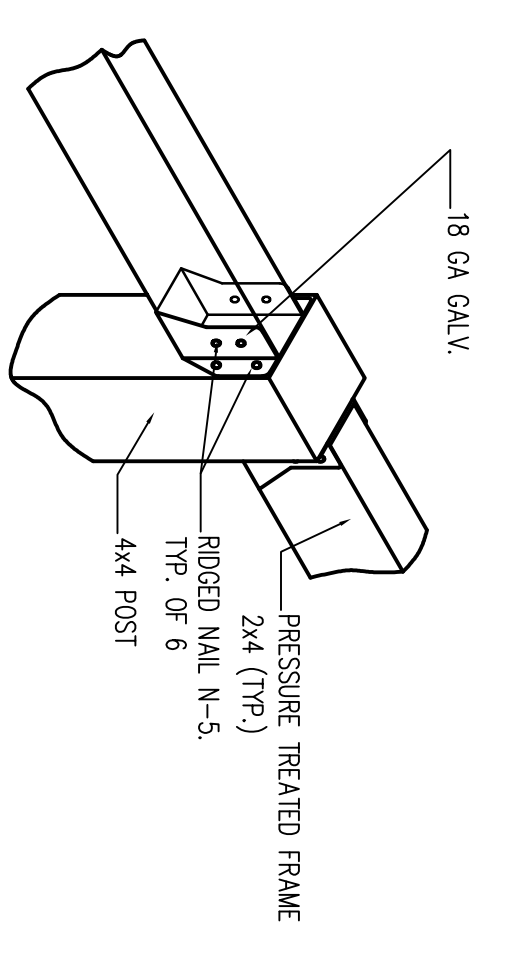
DRAWN BY: \_\_\_\_\_ JOB NO.: \_\_\_\_\_  
CHECKED BY: \_\_\_\_\_ DATE: 04/18/08  
SCALE: \_\_\_\_\_  
SHEET NAME: \_\_\_\_\_

RACK FOR SOLAR COLLECTORS

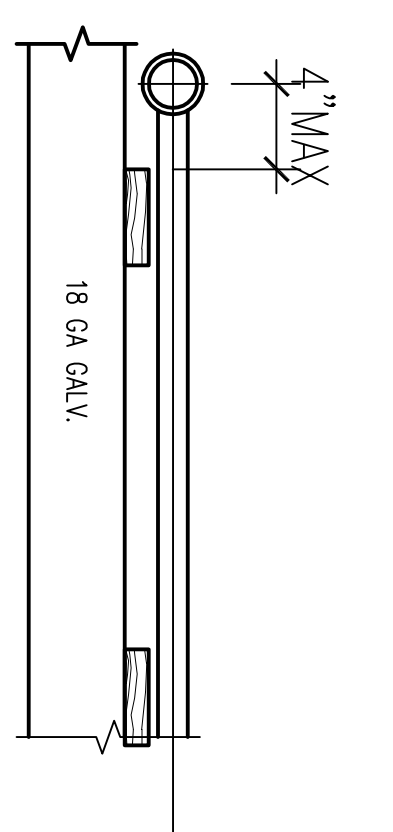
SHEET NUMBER  
**S-2**



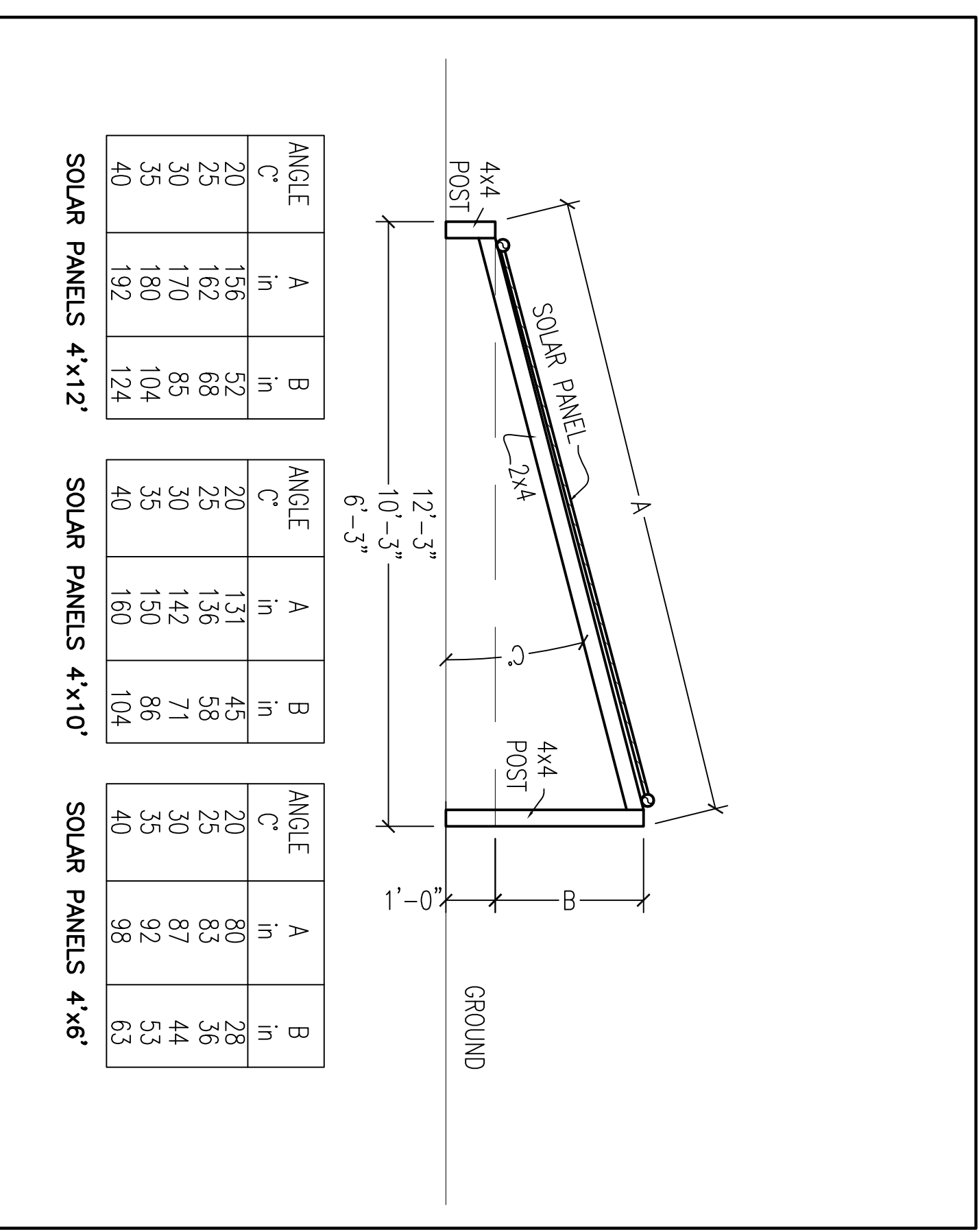
**1** RACK FOR EIGHT SOLAR PANELS—ISOMETRIC VIEW  
NOT TO SCALE



**1** DETAIL  
SCALE: S-2



**2** SECTION  
SCALE: 1-1/2" = 1'-0"



ANGLE C°	A in	B in
20	156	52
25	162	68
30	170	85
35	180	104
40	192	124

SOLAR PANELS 4'x12'

ANGLE C°	A in	B in
20	131	45
25	136	58
30	142	71
35	150	86
40	160	104

SOLAR PANELS 4'x10'

ANGLE C°	A in	B in
20	80	28
25	83	36
30	87	44
35	92	53
40	98	63

SOLAR PANELS 4'x6'